

WELCOME

TO THE
power of
three

Improved triple glazing
solutions from Spectus

Spectus[®]
WINDOW SYSTEMS





Triple glazing? **Certainly. What size?**

If you struggle to find the triple-glazing solutions you need, you'll find the Spectus approach very refreshing.

We believe in choice.

If a customer wants triple glazing, we think they should have it – without having to compromise on quality and without sacrificing style.

Our range now includes beads to accommodate **36, 40 and 44mm glazing for our Elite 70 system, and our Elite 63 system can accommodate 36 and 40mm.**

And there's more good news ...



Carry on with the **Georgian bar**

With the Spectus solution, combining triple glazing with the period detail of Georgian bars is no problem.





No need to switch systems, **no need to bulk up the stock**

Some suppliers use a whole new system for triple glazing, which can have a significant impact on stockholding and cash flow.

bevelled beads

It can cause problems trying to match shapes, disrupt your production lines and require extra training.

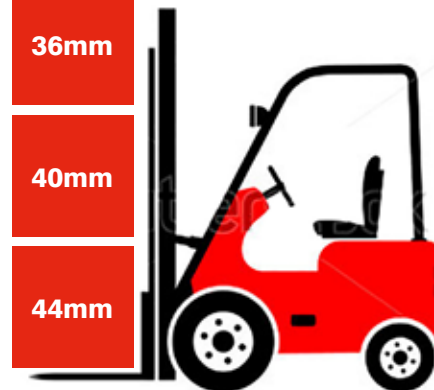
ovolo beads

Other suppliers avoid that approach but offer only a single choice of glazing bead. Only Spectus gives you the affordable flexibility you need.

36mm

40mm

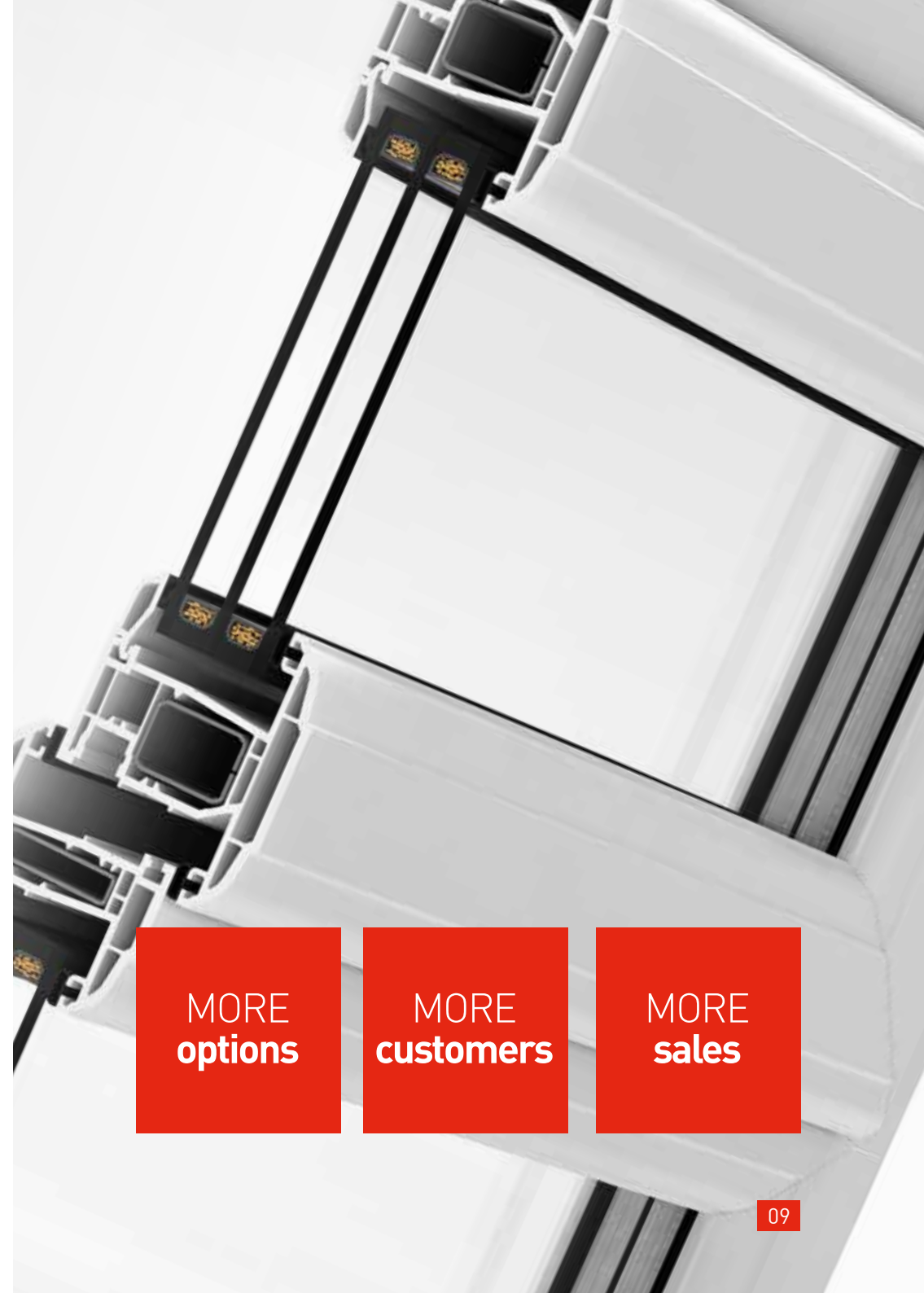
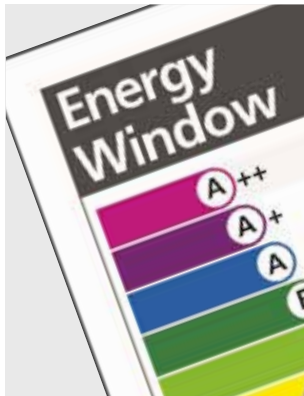
44mm



Flexible, **practical solutions**

The more options you have, the easier it is to offer the exact specification your customers choose.

You can fabricate to specified WERs. You can choose to combine double and triple glazing in the same project to make the best use of passive solar gain or to add extra insulation to rooms with large expanses of glass. You've got plenty of options, but you'll always have superb quality and consistent style.



**MORE
options**

**MORE
customers**

**MORE
sales**

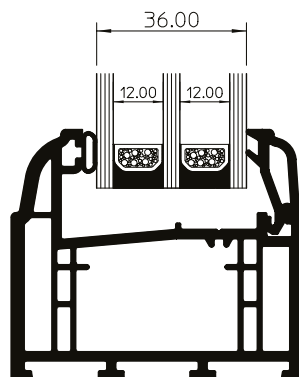
THE power of three

For over thirty years, we have been at the forefront of PVC-U window and door design.

The Spectus British-made systems are complete and advanced. It's no surprise, therefore, that we offer such a wide range of triple-glazing solutions. With our three bead options, you can avoid extra stockholding costs, use existing outerframes and sashes, and still have all the flexibility you and your customers need. And because we don't believe you should have to compromise on style when you choose triple glazing, all beads are available in our extensive range of colours and finishes.

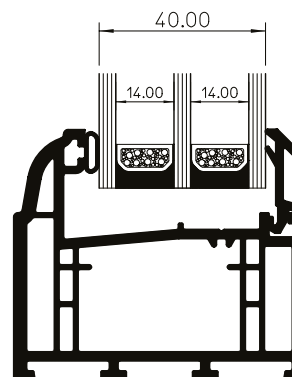
Stylish, practical, affordable - that's the power of three.

36mm



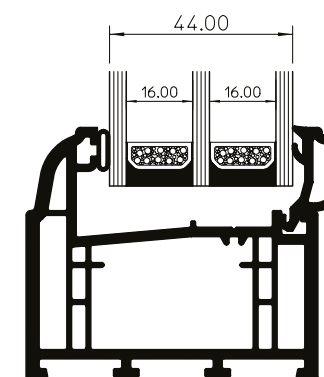
Ovolo with QS65 bead

40mm

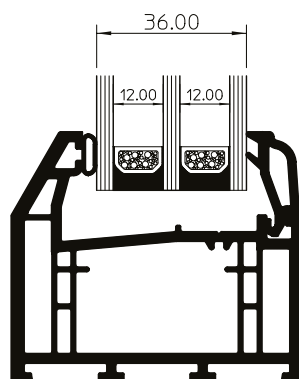


Ovolo with B55 bead

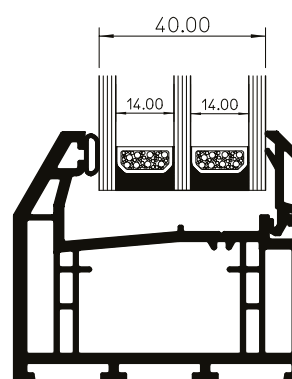
44mm



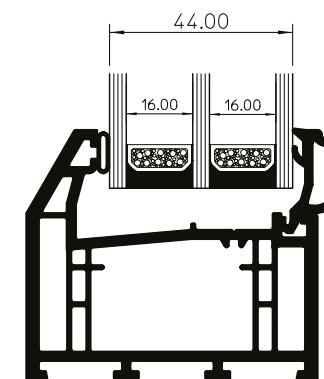
Ovolo with B66 bead



Bevel with QS65 bead



Bevel with B55 bead



Bevel with B66 bead

 **01952 283344**

 marketing@spectus.co.uk

 www.spectus.co.uk



This brochure is printed on Offset recycled stock using vegetable based inks.

Spectus[®]
WINDOW SYSTEMS

Spectus Window Systems
Stafford Park 6, Telford,
Shropshire TF3 3AT